

For use with 14 oz. (400 cc / 397 g) Cartridge or 16 oz. (500 cc / 454 g) Bulk Capacity

Thank you for purchasing Lumax® Grease Gun. By selecting Lumax® Grease Gun you have chosen a high-quality, precision engineered product which is built for heavy-duty service and a lifetime of performance. Your safety is very important to us. Please read this Operational Manual carefully. The instructions contained in this manual **MUST** be read and understood by the operator prior to operating this equipment. It is important that you read the entire manual to become familiar with the unit before you begin to operate the unit. Please store this Operational Manual in a safe place for later reference.

Lumax Lubrication products are precision engineered tools, which are capable of creating pressures well above 10,000 PSI (690 BAR). Only professional use assures danger-free operation of these products. **Warning : Extreme pressure may cause nozzle extension or Grease Hose to burst. Always follow Grease Hose instructions and warnings. Keep hands clear of the extension during operation of the Grease Gun. Be extra careful while working with Needle point Grease Adapters and Dispensers. Keep your hands away from the Needle point at all times and when injecting Grease.**

Maintain your equipment periodically and check before each use that all connections are securely fastened. High Working Pressures may result in liquid being injected into flesh upon malfunction of one of the components. Only use components that show no indications of damage. While working on the Grease Gun barrel, make certain that the open, threaded barrel-end always points away from yourself or others! Never touch a hose that is under pressure. Never point the outlet at yourself or others. Hoses are subject to rapid aging. Never use a hose that is older than 2 years. Hoses must never be bent or twisted with force. The smallest bending radius for hose is 4" (100 mm). Seek immediate medical care after an injury.



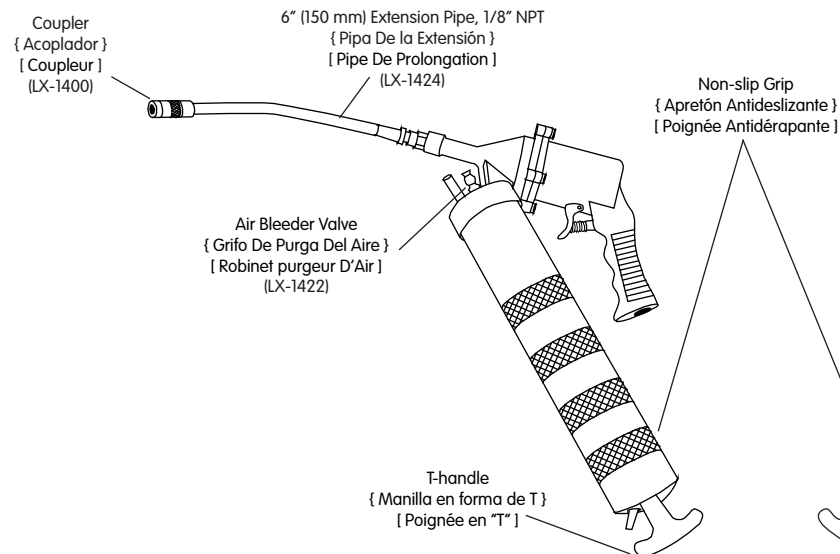
**WARNING
SAFETY FIRST !**

**FOR YOUR OWN PROTECTION READ, UNDERSTAND AND OBSERVE THESE
SAFETY TIPS AND ALL INSTRUCTIONS BEFORE USING THIS PRODUCT!**

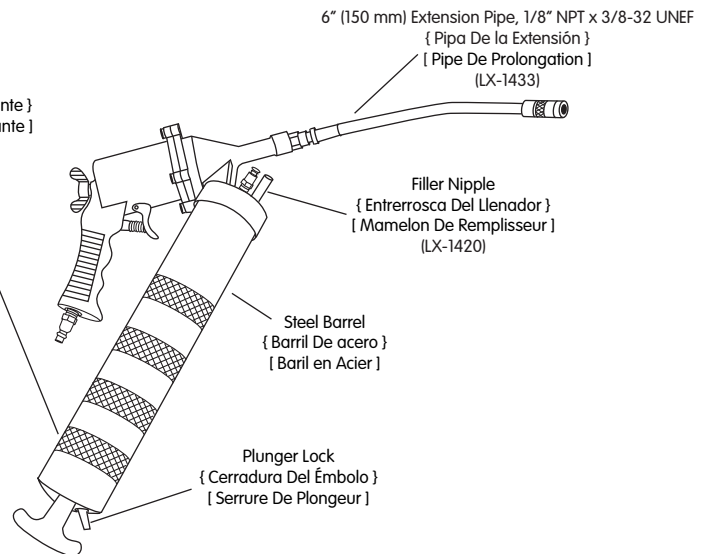
Grease Guns should only be used as recommended. Any tool can fail if it is misused. To avoid Serious Personal Injury when using your Grease Gun, follow these Safety Tips and Rules :

- **Do Not** use Grease Gun for the purpose it is not intended for.
- **Do Not** Force use Grease Gun. It will do the job Better and Safer at the Rate for which it was Intended. Never Use Handle Extensions to Increase Leverage. **Never** try to stop or deflect material from dispensing-end of the Grease Gun with your hand or body.
- **Always Wear Appropriate Protective Clothing and Equipment. Do Not** wear Loose Clothing or Jewelry. They can be caught in Moving Parts. Protective Gloves and Non-skid Footwear are recommended when working with Grease Gun. Approved Guards and Protective Equipment, such as, Impact Resistant Safety Glasses, Safety or Chemical Splash Goggles, Full Face Shield, Safety Shoes, Arm Guards and Apron **Must** be used for Operator Protection. Wear Protective Hair Covering to contain Long Hair.
- **Always** ensure there is adequate lighting in the work area. **Do not Over-reach.** Keep Proper Footing and Balance at all times.
- **Use Respirator. Always** wear proper Face Mask to avoid Inhalation of Fumes and Hazardous Gases
- **Stay Alert.** Watch what you are doing. Use Common Sense. **Do Not** operate Grease Gun when you are tired or under the influence of any medications. **Be Alert at All Times**, especially, during Repetitive, Monotonous Operations. You may have demonstrated a certain product hundreds of times, but do not be lulled into complacency due to a False Sense of Security. Tools can be extremely unforgiving, if not used carefully and as per instructions.
- **Keep Visitors Away.** All Visitors should be kept away from Work Area. **Do Not** let Visitors operate Grease Gun.
- **Check Damaged Parts.** Before use of the Grease Gun, **Always** check it for proper operation before each use and make sure all safety devices are in place and operating properly. **Always** make sure all grease connections are securely tightened. Carefully check for any Damaged Parts to determine that the Grease Gun will operate Properly and Perform its intended function. Check for Alignment of Moving Parts, Binding of Moving Parts, Breakage of Parts, Mounting, and any other Conditions that may affect its Operation. Any Part that is damaged should be properly Repaired or Replaced by an Authorized Service Center.
- **Maintain Grease Guns with care.** Keep Grease Gun Clean and regularly serviced or maintained for Better and Safe Performance. Follow Instructions for Lubricating and changing Accessories. **DO NOT** attempt to repair or disassemble the equipment while the system is pressurized. Inspect Grease Gun periodically and if Grease Gun or any of its parts are Damaged - have it Repaired by an Authorized Service Facility. **Always** keep your Grease Gun Inspected and **Replace Immediately**, if damaged or Worn.
- **Store Idle Tool.** When not in use, Grease Guns should be Stored in Dry, High and/or in Locked-up place. Childproof the Grease Gun and work area.
- **Do Not** alter or modify any part of this equipment. Grease Guns **Must** only be repaired by Qualified Technicians.
- **Always** check local area Laws and Ordinances regarding Handling, Pumping and Disposing of Liquids. Dispose of pumped fluid properly. **Do Not** drain into street drains, house drains, or backyards. Contact your local Municipal Waste Management officials for proper disposal methods. **If there is any question about a condition being safe or unsafe, do not operate the Grease Gun.**

LX-1160, Deluxe, Air Operated Grease Gun



LX-1161, Fully Automatic, Continuous Cycle Air Operated Grease Gun



WARNING : Failure to heed the following Warnings, including misuse, over pressurizing, modifying parts, using incompatible chemicals and fluids, or using worn or damaged parts, may result in equipment damage and/or serious personal injury, fire, explosion, or property damage.

LX-1160, Deluxe, Air Operated Grease Gun

LX-1160 is designed to operate at maximum incoming Air Pressure of 60-90 PSI (4-6 Bar). **LX-1160 must not exceed Maximum Operating Pressure of 3,000 PSI (205 Bar).** High-pressure performance with 60-90 PSI (4-6 Bar) incoming Air Pressure allows the Grease Gun to deliver 2400 to 3000 PSI (40 : 1 ratio) of pressure into the desired fitting. Lower incoming Air Pressure will reduce the performance of the Grease Gun, while incoming Air Pressure higher than the rated 90 PSI (6 Bar) will damage the internal components of the Grease Gun. Use of higher incoming Air Pressure can also cause injury. Also, the use of higher incoming Air Pressure places the internal components under undue loads and stresses that they are not designed for, and could cause premature Grease Gun failure. **DO NOT EXCEED 90 PSI (6 Bar) incoming Air Pressure when using the rigid extension. DO NOT EXCEED 60 PSI (4 Bar) incoming Air Pressure when using a flexible extension.** Gun working pressure can exceed 3000 PSI (205 Bar) where incoming Air Pressure exceeds 60 PSI (4 Bar).

LX-1161 is designed to operate at maximum incoming Air Pressure of 60-90 PSI (4-6 Bar). **LX-1161 must not exceed Maximum Operating Pressure of 3,000 PSI (205 Bar).** High-pressure performance with 60-90 PSI (4-6 Bar) incoming Air Pressure allows the Grease Gun to deliver 2400 to 3000 PSI (40 : 1 ratio) of pressure into the desired fitting. Lower incoming Air Pressure will reduce the performance of the Grease Gun, while incoming Air Pressure higher than the rated 90 PSI (6 Bar) will damage the internal components of the Grease Gun. Use of higher incoming Air Pressure can also cause injury. Also, the use of higher incoming Air Pressure places the internal components under undue loads and stresses that they are not designed for, and could cause premature Grease Gun failure. **DO NOT EXCEED 90 PSI (6 Bar) incoming Air Pressure when using the rigid extension. DO NOT EXCEED 60 PSI (4 Bar) incoming Air Pressure when using a flexible extension.** Gun working pressure can exceed 3000 PSI (205 Bar) where incoming Air Pressure exceeds 60 PSI (4 Bar).

LX-1160, Deluxe, Air Operated Grease Gun

IMPORTANT : LX-1160 is designed as a 'Single Shot' Operation, Air Operated Grease Gun. The trigger must be fully depressed and fully released between each shot of grease. The gun will not produce required pressure if user attempts 'Rapid Fire' Operation. Depressing the trigger partially open can result in an air leak around the trigger stem. Connect the external air source to the gun and adjust the incoming air pressure correctly for the selected rigid or flexible extension and the selected equipment grease fitting lubrication point.

Note : If gun fails to operate, you are probably experiencing Air Pockets. Air Pockets in the Barrel or Head Assembly will prevent the gun from priming and will affect performance.

WARNING : Always use Clean, Dry Air. Excessive Moisture and Dirt will greatly reduce the life of the air motor. **IMPORTANT :** The air supply should always be Clean, Dry and preferably Lubricated. For best results drain moisture from your compressor daily. Lumax® highly recommends installation of an in-line Filter/Regulator/Lubricator. It must also be as close to the Grease Gun, as possible. Be sure all hoses and fittings are of correct size and tightly secured. An automatic in-line Lubricator increases the life of your Grease Gun and keeps it in sustained operational condition. The Lubricator should be regularly checked and filled with air tool oil. Proper adjustment of the in-line Lubricator is performed by placing a sheet of paper next to the exhaust ports and holding the throttle open approximately 30 seconds. The Lubricator is properly set when a light stain of oil collects on the paper. Excessive amounts of oil should be avoided.

In the event that it becomes necessary to store the Grease Gun for an extended period of time, it should receive a generous amount of lubrication at that time. The Grease Gun should be run for approximately 30 seconds to ensure oil has been evenly distributed throughout the Grease Gun. The Grease Gun should be stored in a clean and dry environment.

IMPORTANT : The air cylinder is to be oiled daily with an air tool or equivalent oil. This procedure will increase air piston life and reduce unwarranted down time. Use air tool oil or any other high-grade turbine oil containing moisture absorbent, rust inhibitors, metal wetting agents and an EP (extreme pressure) additive.

LX-1161, Fully Automatic, Continuous Cycle, Air Operated Grease Gun

LX-1161 is designed to operate at maximum incoming Air Pressure of 40-150 PSI (3-10 Bar). **LX-1161 must not exceed Maximum Operating Pressure of 6,000 PSI (414 Bar).** High-pressure performance with 40-150 PSI (3-10 Bar) incoming Air Pressure allows the Grease Gun to deliver 2400 to 3000 PSI (40 : 1 ratio) of pressure into the desired fitting. Lower incoming Air Pressure will reduce the performance of the Grease Gun, while incoming Air Pressure higher than the rated 150 PSI (10 Bar) will damage the internal components of the Grease Gun. Use of higher incoming Air Pressure can also cause injury. Also, the use of higher incoming Air Pressure places the internal components under undue loads and stresses that they are not designed for, and could cause premature Grease Gun failure.

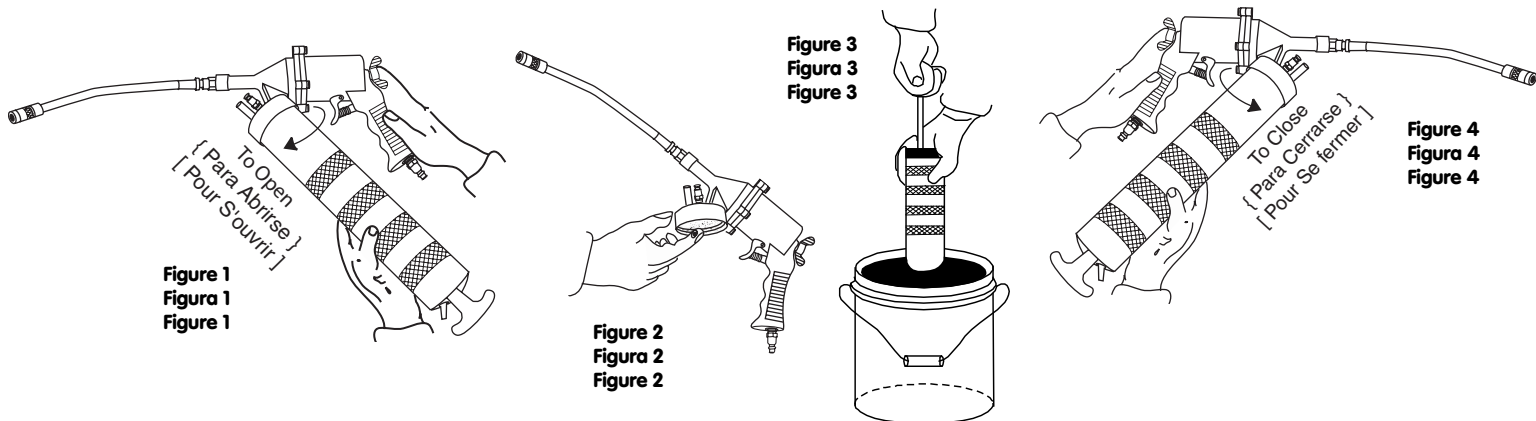
WARNING : Always use Clean, Dry Air. Excessive Moisture and Dirt will greatly reduce the life of the air motor. **IMPORTANT :** The air supply should always be Clean, Dry and preferably Lubricated. For best results drain moisture from your compressor daily. Lumax® highly recommends installation of an in-line Filter/Regulator/Lubricator. It must also be as close to the Grease Gun, as possible. Be sure all hoses and fittings are of correct size and tightly secured. An automatic in-line Lubricator increases the life of your Grease Gun and keeps it in sustained operational condition. The Lubricator should be regularly checked and filled with air tool oil. Proper adjustment of the in-line Lubricator is performed by placing a sheet of paper next to the exhaust ports and holding the throttle open approximately 30 seconds. The Lubricator is properly set when a light stain of oil collects on the paper. Excessive amounts of oil should be avoided.

In the event that it becomes necessary to store the Grease Gun for an extended period of time, it should receive a generous amount of lubrication at that time. The Grease Gun should be run for approximately 30 seconds to ensure oil has been evenly distributed throughout the Grease Gun. The Grease Gun should be stored in a clean and dry environment.

IMPORTANT : The air cylinder is to be oiled daily with an air tool or equivalent oil. This procedure will increase air piston life and reduce unwarranted down time. Use air tool oil or any other high-grade turbine oil containing moisture absorbent, rust inhibitors, metal wetting agents and an EP (extreme pressure) additive.

GREASE FILLING : OPERATING INSTRUCTIONS : The Grease Gun can use a Lubricant Cartridge or be filled with Grease from Bulk Container or with a Filler Pump. Refer to Grease Filling Instructions, below. Wipe grease fittings clean before lubricating. Remove any old grease and/or dirt that might get into the equipment to be Lubricated. Push coupler onto grease fitting at a slight angle (the coupler attaches easier at a slight angle than when centered). Center coupler on the grease fitting. Operate lever handle to lubricate, taking care not to damage seals by excessive pressure or lubricant volume. After lubricating, turn the coupler at a slight angle to release the grip of coupler jaws from the grease fitting.

HOW TO SUCTION LOAD YOUR GREASE GUN :



A. HOW TO SUCTION LOAD YOUR GREASE GUN :

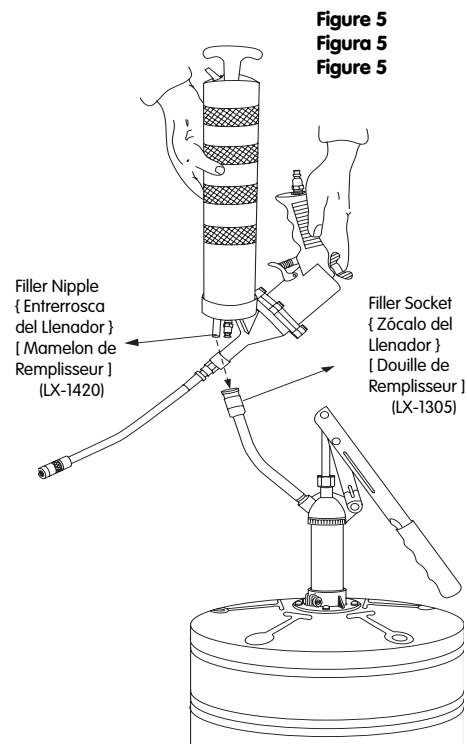
1. Unscrew the Head Assembly from the barrel of the Grease Gun (See Figure 1).. Pack head with Grease (See Figure 2).
2. Insert the open end of the barrel below the surface of the Grease (See Figure 3).
3. Slowly pull the Plunger Rod (Follower-rod) while pushing the barrel deeper into the Grease to prevent air pockets from being pulled into the barrel.
4. When the rod is fully extended, the Plunger Rod locks into place with posi-stop Plunger Lock.
5. Screw the Head Assembly onto the barrel. Tighten the Head Assembly securely (See Figure 4).
6. Unlock the Plunger Rod from the end cap, by releasing the Plunger Lock. This would push the Plunger Rod into the barrel.
7. Prime the gun (Priming is the act of removing air and introducing Grease into the Grease Gun's pumping mechanism). When filling the Grease Gun, it is very important to prevent air pockets and to purge any air that may be trapped in the barrel. **Caution : Air pockets in the lubricant will cause the Lever Grease Gun to lose its prime.** Prime the Grease Gun while pressing the Air Bleeder Valve to vent Air Pockets in the Grease Chamber.

B. HOW TO BULK-LOAD YOUR GREASE GUN USING A GREASE FILLER PUMP :

This procedure applies to all Lumax Grease Guns (except LX-1100 and LX-1112). All Lumax Grease Guns are equipped (except LX-1100 and LX-1112) with a Filler Nipple (Bulk-loader Fitting) on the head. **CAUTION :** The Filler Nipple on the Grease Gun must mate with the Loader Coupler on the Pump. The Pump may not operate if the components are not compatible.

WARNING : The Grease Gun is equipped with a low-pressure Filler Nipple. Do not substitute with a high-pressure Grease Fitting. Personal injury can occur due to excessive pressure. The use of a Grease Fitting will also void the warranty.

1. Wipe the Filler Nipple with a clean cloth.
2. Push the Plunger Rod (Follower-rod) all the way into the barrel of the Grease Gun.
3. Insert the Filler Nipple into the Loader Coupler on the Pump and extend the lever handle away from the barrel (See Figure 5).
4. Operate the pump until the Grease Gun barrel is full of Grease. The Plunger Rod will be fully extended when the barrel is full.
5. Remove the Filler Nipple from the Loader Coupler on the Pump.
6. Unlock the Plunger Rod from the end cap, by releasing the Plunger Lock. This would push the Plunger Rod into the barrel.
7. See Point A (7), above.



C. HOW TO LOAD YOUR GREASE GUN WITH A LUBRICANT CARTRIDGE :

1. Unscrew the Head Assembly from the barrel of the Grease Gun (**See Figure 1**). Pack head with Grease (**See Figure 2**).
2. Pull back the Plunger Rod. When the rod is fully extended, the Plunger Rod locks into place with post-stop Plunger Lock.
3. Remove the plastic cap from the end of Grease Cartridge and, insert open end first, into the barrel of Grease Gun (**See Figure 6**).
4. Push the Grease Cartridge into the barrel until the rim of the pull-tab end contacts the rim of the barrel (**See Figure 7**). Then remove the pull-tab seal from the end of the Grease Cartridge (**See Figure 8**).
5. Screw the head back onto the barrel. Tighten the Head Assembly securely (**See Figure 4**).
6. Unlock the Plunger Rod from the end cap, by releasing the Plunger Lock. This would push the Plunger Rod into the barrel.
7. See Point **A (7)**.

Troubleshooting Chart

Problem : Gun will not dispense Grease

- Possible Cause :**
1. Grease Cartridge or Barrel is empty.
 2. Air is trapped in the Grease Gun head.

- Solution :**
- Replace the grease cartridge or refill the barrel.
 - Expel the trapped air, while pressing the Air Bleeder Valve, and pushing the Plunger (Follower) Rod handle.

Problem : Grease Cartridge will not empty completely. Also, if you are not sure whether the Cartridge is completely empty or not.

Possible Cause : Tabs on rod are binding to rubber plunger assembly.

- Solution :**
- Connect the rod to the rubber plunger assembly.
 - Push the rod into the barrel as far as it will go to move the grease forward.
 - Measure the rod handle from the end cap on the barrel to the tip of the rod handle.
 - If the measurement is more than 1-3/4", the grease cartridge is not empty.
 - If not completely empty, disconnect rod from rubber plunger assembly after grease has been pushed forward.

Problem : Grease leakage visible between Barrel and Head Assembly

Possible Cause : Initial tightening of Barrel into Head Assembly not sufficient or the Rubber Seal inside the Head Assembly is damaged or missing.

- Solution :**
- Tighten Barrel into Head Assembly securely or replace the Rubber Seal

Problem : Grease leakage visible at Extension or at Head Assembly

- Possible Cause :**
1. Initial tightening of extension into Head Assembly and/or Coupler not sufficient
 4. Worn or damaged piston and/or bore in Head Assembly

- Solution :**
- Tighten Extension into Head Assembly and Coupler into the Extension
 - Tighten Filler Nipple into Head Assembly securely
 - Replace "O" Ring or Air Bleeder Valve

2. Filler Nipple may be loose
3. Worn Air Bleeder Valve "O" Ring

Figure 6
Figura 6
Figure 6

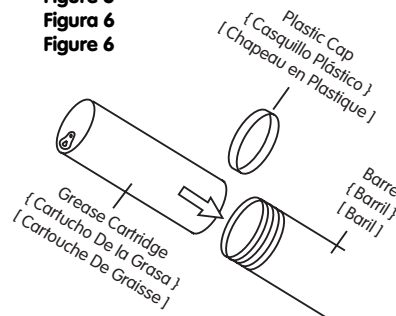


Figure 7
Figura 7
Figure 7

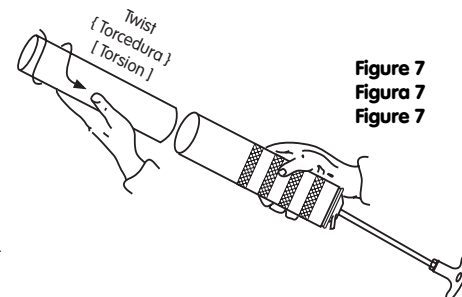
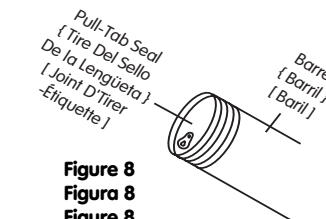


Figure 8
Figura 8
Figure 8



LIMITED WARRANTY POLICY ON NEW EQUIPMENT. PLEASE READ THE FOLLOWING CAREFULLY

Lumax® warrants all lubrication equipment manufactured by Lumax® to be free from defects in material and workmanship on the date of sale by an authorized Lumax® distributor to the original purchaser for use. Lumax® will during one (1) year, following the date of purchase, repair, or replace any part of the equipment determined by Lumax® to be defective. This warranty applies only when the equipment is installed, operated, and maintained in accordance with Lumax® written recommendations. Lumax® does not make any representation or warranty of any kind to the buyer that he or she is qualified to make any repairs to the product or that he or she is qualified to replace any parts of the product. In fact, Lumax® expressly states that all repairs and parts replacements should be undertaken by certified and licensed technicians and not by the buyer. The buyer assumes all risk and liability arising out of his or her repairs to the original product or replacement parts thereto, or arising out of his or her installation of replacement parts thereto. If equipment proves to be defective during this warranty period, it will be repaired or replaced without charge, provided that factory examination indicates the equipment to be defective.

This warranty does not cover, and Lumax® shall not be liable for general wear and tear, accident, overload, or any malfunction, damage, or wear caused by faulty installation, misapplication, misuse, abuse, abrasion, corrosion, inadequate or improper maintenance, negligence, accident, tampering, or substitution of non-Lumax® component parts. Nor shall Lumax® be liable for the equipment repaired or altered by anyone not authorized by Lumax® to repair or alter the equipment. Lumax® will also not be liable for malfunction, damage, or wear caused by the incompatibility of Lumax® equipment with accessories, equipment or materials not supplied by Lumax®. This warranty is extended to the original retail purchaser only and is conditioned upon the prepaid return of the equipment claimed to be defective to an authorized Lumax® distributor for verification of the claimed defect. If the claimed defect is verified, Lumax® will repair or replace free of charge any defective parts. The equipment will be returned to the original buyer, transportation prepaid. If inspection of the equipment does not disclose any defect in material or workmanship, repairs will be made at a reasonable charge, which charges may include the cost of parts, labor, and transportation. This warranty is exclusive, and is in lieu of any other warranties, express or implied, including but not limited to warranty of merchantability or warranty of fitness for a particular purpose. Lumax® sole obligation and buyer's sole remedy for any breach of warranty shall be as set forth above. The buyer agrees that no other remedy (including but not limited to, incidental or consequential damage for lost profits, lost sales, injury to person or property, or any other incidental or consequential loss) shall be available. In no event shall Lumax® be liable for incidental or consequential damages. The liability of Lumax® on any claim for loss or damage arising out of the sale, resale, or use of lubrication equipment, materials dispensing equipment, and other related equipment should in no event exceed the purchase price. Some states do not allow the exclusion or limitation of incidental or consequential damages, so the above limitation or exclusion may not apply to you. This warranty gives you specific legal rights, and you may also have other rights, which vary from state to state. Any action for breach of warranty must be brought within two (2) years from the date of sale.

Lumax® makes no warranty, and disclaims all implied warranties of merchantability and fitness for a particular purpose in connection with accessories, equipment, materials, or components sold but not manufactured by Lumax® (such as Electric Motors, Switches, Hoses, etc.) are subject reasonable assistance in making any claim for breach of these warranties. In no event will Lumax® be liable for indirect, incidental, special, or consequential damages resulting from Lumax® supplying equipment hereunder, or the furnishing, performance, or use of any products or other goods sold hereto, whether due to a breach of contract, breach of warranty, the negligence of Lumax® or otherwise. Any implied warranties applicable to lubrication equipment, materials dispensing equipment, and other related equipment manufactured by Lumax®, including the warranties of merchantability and fitness for a particular purpose, will last only for one (1) year from the date of purchase. Some states do not allow limitations on how long an implied warranty last, so the above limitation may not apply to you.

© 2003 Lumax®. All Rights Reserved. Lumax® and the Products described in it are Copyrighted by Lumax®, with All Rights Reserved. This Form may not be Copied in Whole or Part, without the Express Written Consent of Lumax®.

Lumax® 3705 Centre Circle, Fort Mill, SC 29715, USA

Fax : 803-547-0800

www.LumaxLubrication.com

Para ser utilizada con cartuchos de 14 oz. (400 cc / 397 g) o 16 oz. (500 cc / 454 g) de capacidad

Gracias por comprar la pistola manual de grasa Lumax®. Al seleccionar la pistola de grasa Lumax®, usted ha seleccionado un producto de ingeniería de alta calidad y precisión, diseñado para brindar servicio de trabajo pesado y un rendimiento de por vida. Su seguridad es muy importante para nosotros. Sírvase leer cuidadosamente este Manual de Funcionamiento. Las instrucciones contenidas en este manual **DEBEN** ser leídas y entendidas por el operario antes de funcionar el equipo. Es importante que usted lea todo el manual para familiarizarse con la unidad antes de comenzar a funcionar la unidad. Sírvase mantener este Manual de Funcionamiento en un lugar seguro para referencia futura.

Los productos de lubricación Lumax son herramientas de ingeniería de precisión, que son capaces de crear presiones sobre 10.000 PSI (690 BAR). Solamente el uso profesional asegura el funcionamiento libre de peligros de estos productos. **Advertencia: La presión extrema puede hacer que la extensión de la boquilla o Manguera de Grasa se reviente. Siempre siga las instrucciones y precauciones de la Manguera de Grasa. Mantenga las manos fuera de la extensión durante el funcionamiento de la Pistola de Grasa. Tenga sumo cuidado mientras trabaja mientras trabaja con los adaptadores y dispensadores de punta de aguja. Mantenga sus manos lejos de la punta de aguja en todo momento y cuando inyecte la grasa.**

Mantenga su equipo periódicamente y antes de cada uso, verifique que todas las conexiones estén cerrados de forma segura. Las presiones altas de trabajo pueden dar como resultado que el líquido sea inyectado en el interior debido al mal funcionamiento de los componentes. Utilice solamente componentes que no muestren indicios de daño. Mientras trabaje en el barril de la Pistola de Grasa, asegúrese que este abierto, los extremos de rosca del barril siempre apuntan lejos de usted o de los demás! Nunca toque una manguera que este bajo presión. Nunca apunte la salida hacia usted o hacia otras personas. Las mangueras están sujetas a envejecimiento rápido. Nunca utilice una manguera que tenga mas de 2 años. Las mangueras nunca deben ser dobladas o enroscada a la fuerza. El radio más pequeño para doblar la manguera es de 4" (100 mm). Busque asistencia médica inmediatamente después de una lesión.

PRECAUCIÓN SEGURIDAD PRIMERO! **¡PARA SU PROPIA PROTECCIÓN: LEA, ENTIENDA Y SIGA ESTOS TIPS DE SEGURIDAD Y TODAS LAS INSTRUCCIONES ANTES DE UTILIZAR ESTE PRODUCTO!**

Las pistolas de grasa solamente deberían ser utilizadas según se recomienda. Si no es utilizada correctamente, cualquier herramienta puede fallar. Para evitar graves lesiones personales al utilizar su pistola de grasa, siga los siguientes tips y normas de seguridad:

- **No** utilice la pistola de grasa para otro propósito.
- **No** forje la pistola de grasa. Funcionará mejor y más segura a la velocidad para la cual fue diseñada. Nunca utilice extensiones de palanca para aumentar el brazo de la palanca. **Nunca** trate de detener o desvíe el material del extremo dispensador de la pistola de grasa con su mano o con su cuerpo.
- **Vista siempre el traje y el equipo protector apropiado. No** vista ropa suelta o joyas. Éstas pueden ser atrapadas en las partes móviles. Los guantes protectores y calzado que no resbale son recomendables cuando trabaje con bombas. Protectores adecuados y equipo de protección tales como anteojos de seguridad resistentes a los impactos, anteojos protectores contra salpicaduras químicas o de seguridad, pantalla completa para la cara, zapatos de seguridad, protectores para brazos, guantes protectores y delantal deben ser utilizados para la protección del operador. Utilice una cubierta protectora para el cabello, para cubrir el cabello largo.
- Asegúrese **siempre** de que exista la iluminación adecuada en el área de trabajo.
- **Use Respirador. Siempre** use la mascara facial adecuada para evitar la inhalación de vapores y gases peligrosos.
- **Manténgase alerta.** Vigile siempre lo que hace. Utilice el sentido común. **No** funcione la pistola de grasa cuando usted esté cansado o bajo la influencia de algún medicamento. **Manténgase alerta en todo momento** especialmente durante operaciones repetitivas y monótonas. Usted puede haber demostrado un producto varios cientos de veces, sin embargo, no se confie demasiado debido a un falso sentido de seguridad. Si no se utilizan cuidadosamente y según las instrucciones, las herramientas pueden ser extremadamente implacables.
- **No se estire.** Mantenga el equilibrio y el balance adecuado en todo momento.
- **Mantenga a los visitantes alejados.** Todos los visitantes deberán mantenerse lejos del área de trabajo. **No** deje que los visitantes funcionen la pistola de grasa.
- **Revise las piezas dañadas.** Antes de utilizar la pistola de grasa, revise **siempre** que funcione adecuadamente antes de cada uso y asegúrese que todos los dispositivos de seguridad estén en su sitio y funcionen adecuadamente. Asegúrese **siempre** que todas las conexiones de grasa estén apretadas firmemente. Revise cuidadosamente si hay alguna pieza dañada para determinar que la pistola de grasa funcionará adecuadamente y realizará la función para la que fue diseñada. Revise la alineación de las piezas móviles, unión de las piezas móviles, ruptura de las piezas, montaje y cualquier otra condición que pueda afectar su funcionamiento. Cualquier pieza que esté dañada deberá ser reparada o reemplazada adecuadamente por un Centro de Servicio Autorizado.
- **Mantenga las pistolas de grasa con cuidado.** Mantenga las pistolas de grasa limpias y hágales servicio o mantenimiento regularmente para un mejor y más seguro rendimiento. Siga las instrucciones para lubricar y cambiar los accesorios. **NO** intente reparar o desensamblar el equipo mientras el sistema está presurizado. Inspeccione la pistola de grasa periódicamente y si se daña la pistola de grasa o alguna de sus piezas, haga que sea reparada por un Centro de Servicio Autorizado. Mantenga **siempre** su pistola de grasa inspeccionada y **reemplácela inmediatamente** si se daña o se desgasta.
- **Guarde la herramienta.** Cuando no estén en uso, las pistolas de grasa deberán ser guardadas en un lugar seco, en alto y/o cerrado. Mantenga la pistola de grasa y el área de trabajo fuera del alcance de los niños.
- **No** altere o modifique ninguna pieza de este equipo. Las pistolas de grasa solamente **deben** ser reparadas por técnicos calificados.
- Revise siempre las leyes y ordenanzas locales relacionadas con el manejo, bombeo y disposición de líquidos. Deseche los fluidos bombeados adecuadamente. **No** drene los fluidos en los drenajes de la calle, drenajes de la casa o patios traseros. Contacte a sus funcionarios municipales locales de desecho sobre los métodos adecuados de desecho. **Si tiene alguna pregunta sobre si es seguro funcionar la bomba o no, no funcione la pistola de grasa.**

PRECAUCIÓN : El no leer las siguientes precauciones, incluyendo el mal uso, sobre presurización, modificación de piezas, uso de químicos y fluidos incompatibles, o el uso de piezas desgastadas o dañadas, puede ocasionar daños al equipo y/o daños graves a la persona, incendio, explosión, o daño a la propiedad.

LX-1160 Pistola de grasa, de lujo, accionada por aire

LX-1160 está diseñada para operar con una presión de aire entrante máxima de 60-90 PSI (4-6 Bar). **LX-1160 no debe exceder la presión máxima de operación de 3.000 PSI (205 Bar).** El rendimiento de alta presión con 60-90 PSI (4-6 Bar) de presión de aire entrante permite que la pistola de grasa entregue de 2400 a 3000 PSI (proporción 40:1) de la presión en el accesorio deseado. Una presión de aire entrante más baja reducirá el rendimiento de la pistola de grasa, mientras que una presión de aire entrante mayor que la estipulada 90 PSI (6 Bar) dañará los componentes internos de la pistola de grasa. El uso de una presión de aire entrante mayor también puede causar daños. De igual manera, el uso de una presión de aire mayor hace que los componentes internos se encuentren bajo cargas indebidas y fatigas para los que no fueron diseñados y podría ocasionar fallas prematuras a la pistola de grasa. **NO EXCEDA LOS 90 PSI (6 Bar) de presión de aire entrante al utilizar la extensión rígida. NO EXCEDA LOS 60 PSI (4 Bar) de presión de aire entrante al utilizar una extensión flexible.** La presión de trabajo de la pistola puede exceder los 3000 PSI (205 Bar) cuando la presión de aire entrante exceda los 60 PSI (4 Bar)

IMPORTANTE : La LX-1160 está diseñada como una pistola de grasa de aire comprimido con operación de "un solo tiro". Se debe tirar completamente del gatillo y liberarlo totalmente entre cada disparo de la grasa. La pistola no producirá la presión requerida si el usuario intenta una operación de "fuego rápido". Tirar del gatillo parcialmente abierto puede hacer que ocurra una fuga de aire alrededor de la base del gatillo. Conecte la fuente externa de aire a la pistola y ajuste la presión de aire entrante correctamente para la extensión rígida o flexible seleccionada y el punto de grasa del equipo de lubricación del accesorio seleccionado. **Nota :** Si la pistola no funciona, probablemente usted esté experimentando bolsillos de aire. Los bolsillos de aire en el cañón o en el ensamblaje del cabezal evitarán que la pistola imprimadora y afectará su rendimiento.

PRECAUCIÓN : Siempre utilice aire limpio y seco. El exceso de humedad y sucio reducirán grandemente la vida del motor de aire. **IMPORTANTE:** El suministro de aire deberá siempre estar limpio, seco y preferiblemente lubricado. Para mejores resultados drene la humedad de su compresor diariamente. Lumax® recomienda altamente la instalación de una línea de filtro, regulador y lubricador. Este compresor también debe estar tan cerca de la pistola de grasa como sea posible. Asegúrese que todas las mangueras y accesorios sean del tamaño correcto y estén bien ajustados. Una línea de lubricación automática aumenta la vida de su pistola de grasa y la mantiene en una continua condición operativa. El lubricador deberá ser inspeccionado con regularidad y llenado con aceite para herramientas de aire. El ajuste adecuado del lubricador en línea se realiza mediante la colocación de una hoja de papel cerca de los puertos de escape y manteniendo la estrangulación abierta durante 30 segundos aproximadamente. El lubricador está ajustado correctamente cuando el papel recolecta una ligera mancha de aceite. Se deben evitar cantidades excesivas de aceite.

En caso de que se haga necesario almacenar la pistola de grasa durante un período largo de tiempo, en ese momento, ésta debería recibir una cantidad generosa de lubricación. La pistola de grasa debería dejarse correr durante aproximadamente 30 segundos para asegurar que el aceite se haya distribuido equitativamente a lo largo de la pistola de grasa. La pistola de grasa deberá ser almacenada en un ambiente limpio y seco.

IMPORTANTE : El cilindro de aire debe aceitarse diariamente con un aceite para herramienta de aire o aceite equivalente. Este procedimiento aumentará la vida del pistón de aire y reducirá el período de paralización indeseado. Utilice aceite para herramienta de aire o cualquier otro aceite para turbina de grado alto que contenga absorbente de humedad, inhibidores de óxido, agentes húmedos del metal y un aditivo de presión extrema.

LX-1161 Pistola de Grasa accionada por aire de uso continuo, totalmente automática, para uso industrial

La LX-1161 está diseñada para operar a una presión máxima de aire entrante de 40-150 PSI (3-10 Bar). **La LX-1161 no debe exceder la presión máxima operativa de 6.000 PSI (414 Bar).** El rendimiento a alta presión con 40-150 PSI (3-10 Bar) de presión de aire entrante permite que la pistola de grasa entregue de 2400 a 3000 PSI (proporción 40:1) de presión en el accesorio deseado. Una presión de aire entrante más baja reducirá el rendimiento de la pistola de grasa, mientras que una presión de aire entrante mayor que la estipulada 150 PSI (10 Bar) dañará los componentes internos de la pistola de grasa. El uso de una presión de aire entrante mayor también puede ocasionar daños. De igual manera, el uso de una presión de aire mayor hace que los componentes internos se encuentren bajo cargas indebidas y fatigas para los que no fueron diseñados y podría ocasionar fallas prematuras a la pistola de grasa.

LX-1161 Pistola de Grasa accionada por aire de uso continuo, totalmente automática, para uso industrial



PRECAUCIÓN : Siempre utilice aire limpio y seco. El exceso de humedad y sucio reducirán grandemente la vida del motor de aire. **IMPORTANTE :** El suministro de aire deberá siempre estar limpio, seco y preferiblemente lubricado. Para mejores resultados drene la humedad de su compresor diariamente.

Lumax® recomienda altamente la instalación de una línea de filtro, regulador y lubricador. Este compresor también debe estar tan cerca de la pistola de grasa como sea posible. Asegúrese que todas las mangueras y accesorios sean del tamaño correcto y estén bien ajustados. Una línea de lubricación automática aumenta la vida de su pistola de grasa y la mantiene en una continua condición operativa. El lubricador deberá ser inspeccionado con regularidad y llenado con aceite para herramientas de aire. El ajuste adecuado del lubricador en línea se realiza mediante la colocación de una hoja de papel cerca de los puertos de escape y manteniendo la estrangulación abierta durante 30 segundos aproximadamente. El lubricador está ajustado correctamente cuando el papel recolecta una ligera mancha de aceite. Se deben evitar cantidades excesivas de aceite.

En caso de que se haga necesario almacenar la pistola de grasa durante un período largo de tiempo, en ese momento, ésta debería recibir una cantidad generosa de lubricación. La pistola de grasa debería dejarse correr durante aproximadamente 30 segundos para asegurar que el aceite se haya distribuido equitativamente a lo largo de la pistola de grasa. La pistola de grasa deberá ser almacenada en un ambiente limpio y seco.

IMPORTANTE : El cilindro de aire debe aceitarse diariamente con un aceite para herramienta de aire o aceite equivalente. Este procedimiento aumentará la vida del pistón de aire y reducirá el período de paralización indeseado. Utilice aceite para herramienta de aire o cualquier otro aceite para turbina de grado alto que contenga absorbente de humedad, inhibidores de óxido, agentes húmedos del metal y un aditivo de presión extrema.

LLENADO DE GRASA : INSTRUCCIONES DE FUNCIONAMIENTO : La pistola de grasa puede utilizar un cartucho lubricante o ser llenado con una grasa proveniente de un recipiente a granel o con una bomba de filtro. Refiérase a las siguientes instrucciones de llenado de grasa. Limpie los ajustes de grasa antes de lubricar. Quite toda la grasa vieja y/o sucio que pueda entrar en el equipo a ser lubricado. Empuje el acoplador en el ajuste de grasa en un ángulo ligero (el acoplador se adapta más fácilmente en un ángulo ligero que cuando está centrado). Centre el acoplador en el ajuste de grasa. Accione la manilla de la palanca para lubricar, cuidando de no dañar los sellos debido a la presión excesiva o volumen del lubricante. Después de lubricar, gire el acoplador a un ángulo ligero para liberar el mango de los enganches de garras del ajuste de grasa.

A. CÓMO LLENAR POR SUCCIÓN SU PISTOLA DE GRASA :

1. Desenrosque el ensamblaje del cabezal del barril de la pistola de grasa (Véase la Figura 1). Engrase el cabezal (Véase la Figura 2).
2. Inserte el extremo abierto del barril debajo de la superficie de la grasa (Véase la Figura 3).
3. Hale lentamente la varilla del émbolo (varilla de engranaje) mientras aprieta el barril profundamente dentro de la grasa para evitar que las burbujas de aire sean llevadas dentro del barril.
4. Cuando la varilla esté totalmente extendida, la varilla del émbolo se cierra en su lugar con un cierre de posición llamado cierre del émbolo.
5. Atornille el ensamblaje del cabezal en el barril. Apriete firmemente el ensamblaje del cabezal (Véase la Figura 4).
6. Quite el cierre de la varilla del émbolo de la tapa del extremo, mediante la liberación del cierre del émbolo. Esto empujará la varilla del émbolo en el barril.
7. **Cebe la pistola** (Cebear es el acto de quitar el aire e introducir grasa en el mecanismo de bombeo de la pistola de grasa). Cuando llene la pistola de grasa, es muy importante evitar las bolsas de aire y purgar cualquier aire que pueda estar atrapado en el barril. **Precaución: Las bolsas de aire en el lubricante harán que la pistola de grasa de la palanca pierda su cebo.** Cebe la pistola de grasa mientras presiona la válvula del purgador de aire para ventilar las bolsas de aire en la cámara de grasa.

B. CÓMO CARGAR SU PISTOLA DE GRASA UTILIZANDO UNA BOMBA DE LLENADO DE GRASA :

Este procedimiento se aplica a todas las pistolas de grasa Lumax (menos la LX-1100 y LX-1112). Todas las pistolas de grasa Lumax están equipadas (menos la LX-1100 y LX-1112) con una boquilla de llenado (ajuste cargador) en el cabezal. **PRECAUCIÓN:** La boquilla de llenado en la pistola de grasa debe ajustarse al acoplador de carga de la bomba. La bomba puede no funcionar si los componentes no son compatibles.

PRECAUCIÓN : La pistola de grasa está equipada con una boquilla de llenado de baja presión. **No** lo sustituya con un ajuste de grasa de alta presión. La presión excesiva puede causar una lesión a la persona. El uso del ajuste de grasa también anulará la garantía.

1. Limpie la boquilla de llenado con un paño limpio.
2. Empuje la varilla del émbolo (varilla de engranaje) completamente dentro del barril de la pistola de grasa.
3. Inserte la boquilla de llenado en el acoplador del cargador en la bomba y extienda la manilla de la palanca fuera del barril (Véase la figura 5).
4. Accione la bomba hasta que la pistola de grasa esté llena de grasa. La varilla del émbolo será extendida completamente cuando el barril esté lleno.
5. Quite la boquilla de llenado del acoplador de carga en la bomba.
6. Quite el cierre del purgador para separar la varilla del émbolo de la tapa del extremo. Esto empujará la varilla del émbolo en el barril.
7. Refiera al punto **A (7)**, arriba

C. CÓMO CARGAR SU PISTOLA DE GRASA CON UN CARTUCHO LUBRICANTE :

1. Desenrosque el ensamblaje del cabezal del barril de la pistola de grasa (Véase la figura 1). Engrase el cabezal (Véase la figura 2).
2. Hale la varilla del émbolo hacia atrás. Cuando la varilla está totalmente extendida, la varilla del émbolo se cierra en su sitio con un cierre del émbolo con paradas de posición.
3. Quite la tapa plástica del extremo del cartucho de grasa e inserte primero el extremo abierto en el barril de la pistola de grasa (Véase la figura 6)
4. Empuje el cartucho de grasa en el barril hasta que el aro del extremo contacte el aro del barril (Véase la figura 7). Luego quite el sello del extremo del cartucho de grasa (Véase la figura 8).
5. Atornille de nuevo el cabezal en el barril. Apriete firmemente el ensamblaje del cabezal (Véase la figura 4).
6. Quite el cierre del émbolo para separar la varilla del émbolo de la tapa del extremo. Esto empujará la varilla del émbolo en el barril.
7. Refiera al punto **A (7)**, arriba

Tabla para Resolver Problemas

Problema : La pistola de dispensa grasa

Posible Causa : 1. El cartucho de grasa o el barril está vacío. 2. El aire está atrapado en el cabezal de la pistola de grasa.

Solución : • Reemplace el cartucho de grasa o vuelva a llenar el barril.
• Saque el aire atrapado presionando la válvula del purgador de aire, y empuje la manilla de la varilla del émbolo (engranaje).

Problema : El cartucho de grasa no se vaciará completamente. También si usted no está seguro si el cartucho está completamente vacío o no.

Posible Causa : Las lengüetas en la varilla están unidas al ensamblaje del émbolo de caucho.

Solución : • Conecte la varilla al ensamblaje del émbolo de caucho.
• Empuje la varilla en el barril tan lejos como pueda para mover la grasa hacia adelante.
• Mida la manilla de la varilla desde la tapa del extremo en el barril hasta la punta de la manilla de la varilla.
• Si la medida es superior a 1-3/4", el cartucho de grasa no está vacío.
• Si no está completamente vacío, desconecte la varilla del ensamblaje de émbolo de caucho después que la grasa haya sido empujada hacia adelante.

Problema : Fuga de grasa visible entre el barril y el ensamblaje del cabeza.

Posible Causa : El ajuste inicial del barril en el ensamblaje del cabezal no es suficiente o el sello de caucho adentro está dañado o no está presente.

Solución : Apriete firmemente el barril en el ensamblaje del cabezal

Problema : Fuga de grasa visible en la extensión

Posible Causa : Fuga de grasa visible en el ensamblaje del cabezal

Posible Causa : 1. El ajuste inicial de la extensión en el ensamblaje del cabezal y/o acoplador no es suficiente
3. Válvula de aro "O" del purgador de aire está desgastado

2. La boquilla de llenado puede estar floja
4. Pistón y/o ánima desgastada y/o dañada en el ensamblaje del cabezal

Solución : • Apriete la extensión en el ensamblaje del cabezal y el acoplador en la extensión
• Reemplace el aro "O" o la válvula del purgador de aire
• Apriete firmemente la boquilla de llenado en el ensamblaje del cabezal

**Vea la información
de la garantía
en la página pasada**

Utiliser avec des cartouches de 14 onces (400 cc / 397 g) ou capacité en masse de 16 onces (500 cc / 454 g)

Nous vous remercions d'avoir acheté le Pistolet Graisseur Lumax®. En choisissant le Pistolet Graisseur Lumax®, vous avez choisi un produit de bonne qualité, de haute technologie, construit pour un service à grand rendement et une performance pour la vie. Votre sécurité est très importante pour nous. Lisez ce manuel d'emploi attentivement. L'opérateur de cet équipement **DOIT** lire et comprendre les instructions de ce manuel avant d'utiliser l'équipement. C'est important de lire le manuel en entier pour se familiariser avec le produit avant de commencer à l'utiliser. Conserver ce manuel d'emploi dans un endroit sûr pour pouvoir l'utiliser dans le futur.

Les produits lubrifiants Lumax sont des instruments de haute technologie, capables de créer des pressions bien au-dessus de 10.000 PSI (690 BAR.) Seul l'utilisation professionnelle assurera l'exécution sans danger de ces produits. **Mise en Garde: Une pression extrême peut provoquer le prolongement du bec ou l'éclatement du tuyau graisseur. Suivez toujours les instructions et les mises en garde du tuyau graisseur. Maintenez les mains dégagées du prolongement quand vous utilisez le Pistolet Graisseur. Soyez extra attentif quand vous utilisez des adaptateurs et des distributeurs graisseurs à pointe d'aiguille. Tenez toujours vos mains à l'écart de la pointe d'aiguille quand vous injectez de la graisse.**

Entretenez votre équipement régulièrement et avant chaque emploi, vérifiez que toutes les connexions sont solidement attachées. Si vous travaillez avec des pressions élevées, le liquide peut être injecté sur la peau lors du défaut de fonctionnement d'une des pièces. Utilisez **uniquement** des pièces qui ne montrent aucun signe d'endommagement. Quand vous travaillez avec le tube du Pistolet Graisseur, assurez-vous de que la partie ouverte et fileté du bout du tube soit détournée de vous et des autres! Ne touchez jamais un tuyau qui est sous pression. Ne dirigez jamais le débouchement vers vous-même ou d'autres personnes. Les tuyaux vieillissent rapidement. N'utilisez jamais un tuyau qui est plus ancien que 2 ans. Des tuyaux ne doivent jamais être pliés ou tordus par force. Le plus petit rayon de cintrage pour le tuyau est 4" (100 millimètres.) Rechercher soin médical immédiat si vous vous blessez.

⚠ MISE EN GARDE LA SÉCURITÉ EN PREMIER ! POUR VOTRE PROTECTION LISEZ, COMPRENEZ ET OBSERVEZ CES INDICATIONS DE SÉCURITÉ. ET TOUTES LES INSTRUCTIONS AVANT D'UTILISER CE PRODUIT!

Les Pistolets Graisseurs doivent être utilisés uniquement comme recommandé. Tout outil peut tomber en panne en cas de mauvais usage. Pour éviter des blessures corporelles sérieuses lors de l'usage de votre Pistolet Graisseur, respectez les instructions et les règles de sécurité suivantes:

- **N'utilisez pas** le Pistolet Graisseur pour un usage pour lequel il n'est pas destiné.
- **Ne forcez pas le Pistolet Graisseur.** Il fonctionnera mieux et sera moins dangereux s'il est utilisé à la vitesse programmée. N'utilisez jamais les manches prolongées pour augmenter la puissance de levier. **N'essayez jamais** d'arrêter ou de détourner des matériaux qui se déchargent du bout du Pistolet Graisseur avec votre main ou votre corps.
- **Portez toujours des vêtements et équipements convenables.** Ne mettez pas des habits amples ou de bijoux pendants. Ils peuvent être pris dans les pièces qui bougent. Des gants protecteurs et des chaussures antidérapantes sont recommandés lorsque vous travaillez avec les Pistolets Graisseurs. Des dispositifs et équipements protecteurs comme lunettes de sécurité qui résistent à l'impact, lunettes protectrices contre les éclaboussures chimiques, masque protectrice du visage, chaussures protectrices, garde bras, gants et tablier protecteurs doivent être utilisés pour la protection de l'opérateur. Portez un couvre cheveu protecteur pour contenir les cheveux longs.
- **Assurez-vous** que le milieu de travail est **toujours** suffisamment éclairé.
- **Utilisez le Respirateur.** Portez toujours un masque protecteur convenable pour éviter d'avaler les vapeurs des gaz dangereux.
- **Soyez vigilant.** Faites attention à ce que vous faites. Utilisez le bon sens. **N'utilisez pas** le Pistolet Graisseur quand vous êtes fatigué ou quand vous prenez des médicaments. **Soyez alerte à tout moment**, surtout pendant des exécutions répétitives et monotones. Même si vous avez essayé un produit une centaine de fois, ne diminuez jamais votre vigilance. Les instruments peuvent être extrêmement impitoyables s'ils ne sont pas utilisés soigneusement et selon les instructions.
- **Ne présumez pas de vos forces.** Maintenez un maintien et un équilibre appropriés.
- **N'acceptez pas de visiteurs.** Tous les visiteurs doivent être à l'écart du milieu de travail. **Ne laissez pas** les visiteurs opérer le Pistolet Graisseur.
- **Vérifier les pièces endommagées.** Avant d'utiliser le Pistolet Graisseur, **vérifiez toujours** qu'il fonctionne correctement avant chaque emploi et assurez-vous que tous les dispositifs de sécurité sont en place et fonctionnent correctement. **Assurez-vous toujours** que toutes les connexions graisseuses sont solidement attachées. Vérifiez soigneusement le Pistolet Graisseur pour trouver toutes les pièces endommagées, pour déterminer si le Pistolet Graisseur va fonctionner correctement et s'exécutera pour l'usage pour lequel elle est destinée. Vérifiez le cadrage des pièces mobiles, le liage des pièces mobiles, la rupture des pièces, l'assemblage, et toutes autres conditions qui peuvent affecter son exécution. Toute pièce endommagée doit être réparée correctement ou remplacée par un centre de service autorisé.
- **Entretenez les Pistolets Graisseurs avec soin.** Gardez les Pistolets Graisseurs propres et entretenez-les régulièrement pour une performance supérieure et sans danger. Suivez les instructions pour lubrifier et changer les accessoires. **N'essayez pas** de réparer ou désassembler l'équipement lorsque le système est sous pression. Examinez les Pistolets Graisseurs périodiquement et si le Pistolet Graisseur ou la moindre de ses pièces sont endommagés - faites-les réparer par un centre de service autorisé. Les Pistolets Graisseurs doivent toujours être maintenus et remplacés immédiatement s'ils sont endommagés ou usés
- **Mettez en dépôt tout instrument au repos.** Quand les Pistolets Graisseurs ne sont pas utilisés, ils doivent être conservés dans un endroit sec, élevé et/ou enfermés sous verrous. Si ne faut pas que les enfants puissent avoir accès au Pistolet Graisseur et au milieu de travail
- **Ne changer et ne modifier** aucune partie de cet équipement. Les Pistolets Graisseurs **doivent seulement** être réparés par des techniciens qualifiés.
- Vérifiez **toujours** les lois et les ordonnances locales concernant la manipulation, le pompage et le rejet des fluides. Rejetez le fluide pompé correctement. **Ne le videz pas** dans les égouts de la rue, de la maison ou du jardin. Contactez vos fonctionnaires locaux de gestion de déchets municipaux pour connaître les méthodes appropriées de rejet des fluides. **S'il y a le moindre doute concernant une condition dangereuse, n'utilisez pas le Pistolet Graisseur.**

Mise en Garde : Ne pas tenir compte des avertissements suivants, y compris le mauvais usage, exerçant une pression exagérée, modifier les pièces, utiliser des produits chimiques et des fluides incompatibles ou utiliser des pièces usées ou endommagées, peut avoir pour résultat un équipement endommagé et/ou des blessures corporelles sérieuses, l'incendie ou des blessures matérielles.

LX-1160, Pistolet Graisseur actionné par air Deluxe

LX-1160 est conçu pour être opéré à une pression d'air extérieure de maximum 60-90 PSI (4-6 Bar). **LX-1160 ne doit pas subir une pression plus élevée du maximum de fonctionnement de 3.000 PSI (205 Bar).** Une performance de haute pression de pression d'air extérieure de 60-90 PSI (4-6 Bar) permet au Pistolet Graisseur de délivrer une pression de 2400 à 3000 PSI (40 : 1 ratio) dans l'ajustage désiré. Une pression d'air extérieure plus basse diminuera la performance du Pistolet Graisseur, tandis qu'une pression d'air d'extérieure plus élevée que 90 PSI (6 Bar) endommagera les pièces de l'intérieur du Pistolet Graisseur. L'utilisation d'une pression d'air extérieure plus élevée peut aussi causer des blessures, ainsi qu'exposer les pièces intérieures à des charges et des tensions pour lesquelles il n'est pas conçu, et peut provoquer la défaillance prématurée du Pistolet Graisseur. **NE PAS DEPASSER** une pression d'air extérieure de **90 PSI (6 Bar) quand vous utilisez le prolongement inflexible.** **NE PAS DEPASSER** une pression d'air extérieure de **60 PSI (4 Bar) quand vous utilisez un prolongement flexible.** Pression de fonctionnement du pistolet peut dépasser 3000 PSI (205 Bar) quand la pression d'air extérieure dépasse 60 PSI (4 Bar).

IMPORTANT : Le Pistolet Graisseur actionné par air LX-1160 est conçu pour un manœuvre "Single Shot". Au milieu de deux coups de graisse, il faut appuyer et relâcher complètement la détente. Le pistolet ne produira pas la pression nécessaire si l'opérateur essaie un manœuvre "Rapid Fire"². Si la détente est relâchée en partie, l'air peut se dériver autour de la tige de la détente. Connectez la source de l'air extérieur au pistolet et adaptez la pression de l'air extérieur correctement au prolongement flexible ou inflexible et l'endroit de lubrification de l'ajustage graisseur de l'équipement sélectionné.

Note : Si le pistolet fait faillite, vous subissez probablement des trous d'air. Les trous d'air dans le tuyau ou l'assemblage principal empêcheront le pistolet de s'amorcer et affecteront sa performance.

Mise en Garde : Utilisez toujours l'air propre et sec. L'humidité et les saletés excessives réduiront largement la vie du moteur. **IMPORTANT :** L'air approvisionné doit toujours être propre, sec et préférablement lubrifié. Pour atteindre de meilleurs résultats, drainez l'humidité du compresseur chaque jour. Lumax® recommande fortement l'installation d'un filtre/régulateur/lubrifiant incorporé. Il doit aussi se trouver le plus proche du pistolet graisseur possible. Assurez-vous que tous les tuyaux et ajustages sont de taille correcte et attachés solidement. Un lubrifiant incorporé automatique prolonge la vie de votre pistolet graisseur et le maintien dans une condition de fonctionnement soutenu. Le lubrifiant doit être inspecté régulièrement et rempli avec de l'huile d'outil à air. Un réglage correct du lubrifiant incorporé se fait en mettant une feuille de papier près des orifices d'échappement et en tenant le régulateur ouvert pendant à peu près 30 secondes. Le lubrifiant est ajusté correctement quand une légère tache d'huile se forme sur le papier. Il faut éviter des quantités excessives d'huile.

S'il devient nécessaire d'emmagasiner le pistolet graisseur pour une longue période, il doit recevoir une lubrification générale en ce moment. Le pistolet graisseur doit être manié pendant presque 30 secondes pour s'assurer que l'huile a été distribuée également partout dans le pistolet graisseur. Le pistolet graisseur doit être emmagasiné dans un endroit propre et sec.

IMPORTANT : Le cylindre d'air doit être lubrifié chaque jour avec de l'huile d'outil à air ou un équivalent. Cette procédure prolongera la vie du piston d'air et réduira des périodes d'inopéation injustifiées. Utilisez l'huile d'outil à air ou tout autre huile de turbine de haute qualité qui contient des agents qui se défendent contre la rouille et qui absorbent l'humidité et qui gardent les métaux humides et un additif EP (à pressure extrême).

¹ Un coup unique

² coups rapprochés/continues

LX-1161, Pistolet Graisseur actionné par air de Grande Puissance Complètement Automatique, à Cycle Ininterrompu



LX-1161 est conçu pour être opéré à une pression d'air extérieure de maximum 40-150 PSI (3-10 Bar). **LX-1161 ne doit pas subir une pression plus élevée du**

maximum de fonctionnement de 6,000 PSI (414 Bar). Une performance de haute pression de pression d'air extérieure de 40-150 PSI (3-10 Bar) permet au Pistolet Graisseur de délivrer une pression de 2400 to 3000 PSI (40 : 1 ratio) dans l'ajustage désiré. Une pression d'air extérieure plus basse diminuera la performance du Pistolet Graisseur, tandis qu'une pression d'air d'extérieure plus élevée que 150 PSI (10 Bar) endommagera les pièces de l'intérieur du Pistolet Graisseur. L'utilisation d'une pression d'air extérieure plus élevée peut aussi causer des blessures, ainsi qu'exposer les pièces intérieures à des charges et des tensions pour lesquelles il n'est pas conçu, et peut provoquer la défaillance prématurée du Pistolet Graisseur.

Mise en Garde : Utilisez toujours l'air propre et sec. L'humidité et les saletés excessives réduiront largement la vie du moteur. **IMPORTANT :** L'air approvisionné doit toujours être propre, sec et préférablement lubrifié. Pour atteindre de meilleurs résultats, drainez l'humidité du compresseur chaque jour. Lumax® recommande fortement l'installation d'un filtre/régulateur/lubrifiant incorporé. Il doit aussi se trouver le plus proche du pistolet graisseur possible. Assurez-vous que tous les tuyaux et ajustages sont de taille correcte et attachés solidement. Un lubrifiant incorporé automatique prolonge la vie de votre pistolet graisseur et le maintient dans une condition de fonctionnement soutenu. Le lubrifiant doit être inspecté régulièrement et rempli avec de l'huile d'outil à air. Un réglage correct du lubrifiant incorporé se fait en mettant une feuille de papier près des orifices d'échappement et en tenant le régulateur ouvert pendant à peu près 30 secondes. Le lubrifiant est ajusté correctement quand une légère tache d'huile se forme sur le papier. Il faut éviter des quantités excessives d'huile.

S'il devient nécessaire d'emmagasiner le pistolet graisseur pour une longue période, il doit recevoir une lubrification généreuse en ce moment. Le pistolet graisseur doit être manié pendant presque 30 secondes pour s'assurer que l'huile a été distribuée également partout dans le pistolet graisseur. Le pistolet graisseur doit être emmagasiné dans un endroit propre et sec.

IMPORTANT : Le cylindre d'air doit être lubrifié chaque jour avec de l'huile d'outil à air ou un équivalent. Cette procédure prolongera la vie du piston d'air et réduira des périodes d'inopéation injustifiées. Utilisez l'huile d'outil à air ou tout autre huile de turbine de haute qualité qui contient des agents qui se défendent contre la rouille et qui absorbent l'humidité et qui gardent les métaux humides et un additif EP (à pression extrême).

REMPLISSAGE DE GRAISSE : MODE D'EMPLOI : Le Pistolet Graisseur peut utiliser une cartouche lubrifiante ou peut être rempli de graisse d'un récipient en masse ou avec une pompe remplisseuse. Consulter les instructions pour le remplissage de graisse, ci-dessous. Nettoyez les ajustages graisseurs avant de les lubrifier. Enlevez toute graisse ancienne et/ou saleté qui peut entrer dans l'équipement qui va être lubrifié. Appuyez le coupleur sur l'ajustage graisseur à angle léger (le coupleur s'attache plus facilement à angle léger qu'une fois centré.) Mettez le coupleur au centre de l'ajustage graisseur. Actionnez le traitement de levier pour lubrifier, en faisant attention de ne pas endommager les joints en utilisant une pression ou un volume de lubrifiant excessif. Après la lubrification, tournez le coupleur légèrement à angle pour libérer l'ajustage graisseur des mâchoires du coupleur.

A. COMMENT CHARGER VOTRE PISTOLET GRAISSEUR EN ASPIRANT :

1. Dévissez l'assemblage principal du tube du Pistolet Graisseur (voir figure 1.) Remplissez-le avec de la graisse (voir figure 2.)
2. Insérez l'ouverture du tube au-dessous de la surface de la graisse (voir figure 3.)
3. Tirez le piston plongeur lentement tout en insérant le tube plus profondément dans la graisse pour empêcher des trous d'air d'être tirés dans le tube.
4. Quand le piston plongeur est entièrement étendu, il se verrouille sur place avec une verrouille de piston 'post-stop'.
5. Vissez l'assemblage principal dans le tube. Serrez-le bien/aisez l'Ass (voir figure 4.)
6. Déverrouillez le piston plongeur du bouchon du bout, en desserrant la verrouille du piston. Cela poussera le piston plongeur dans le tube.
7. Amorcez le pistolet (l'amorçage est l'acte d'enlever l'air et d'introduire la graisse dans le mécanisme de pompage du pistolet graisseur.) En remplissant le Pistolet Graisseur, il est très important d'empêcher des trous d'air et de vider l'air bloqué dans le tube. **Précaution: Le levier du Pistolet Graisseur va perdre son amorçage s'il reste des trous d'air dans le lubrifiant.** Amorcez le Pistolet Graisseur tout en appuyant sur la valve d'air purgeur pour vider les trous d'air du compartiment de graisse.

B. COMMENT CHARGER VOTRE PISTOLET GRAISSEUR D'UN RÉCIPENT EN MASSE EN UTILISANT UNE POMPE REMPLISSEUSE :

Cette marche à suivre s'applique à tous les Pistolets Graisseurs Lumax (à l'exception de LX-1100 et LX-1112). Tous les Pistolets Graisseurs Lumax (à l'exception de LX-1100 et LX-1112) sont équipés d'un raccord remplisseur (mode remplissage en masse) sur l'assemblage principal. **PRÉCAUTION:** Le raccord remplisseur de Pistolet Graisseur doit se joindre exactement au coupleur chargeur de la pompe. La pompe peut ne pas fonctionner si les pièces ne sont pas compatibles.

MISE EN GARDE : Le Pistolet Graisseur est équipé d'un raccord remplisseur à basse pression. Ne substituez pas avec un ajustage graisseur à haute pression. Une pression excessive peut provoquer des blessures corporelles. L'utilisation d'un ajustage graisseur annulera également la garantie.

1. Essuyez le raccord remplisseur avec un tissu propre.
2. Poussez le piston plongeur tout au fond du tube du Pistolet Graisseur.
3. Insérez le raccord remplisseur dans le coupleur chargeur de la pompe et étendez le traitement de levier dans la direction opposée du tube (voir figure 5.)
4. Actionnez la pompe jusqu'à ce que le tube du Pistolet Graisseur soit rempli de graisse. Le piston plongeur sera entièrement étendu quand le tube est rempli.
5. Enlevez le raccord remplisseur du coupleur chargeur de la pompe.
6. Déverrouillez le piston plongeur du bouchon du bout, en desserrant la verrouille du piston. Cela poussera le piston plongeur dans le tube.
7. Référez-vous au point A (7).

C. COMMENT CHARGER VOTRE PISTOLET GRAISSEUR AVEC UNE CARTOUCHE LUBRIFIANTE :

1. Dévissez l'assemblage principal du tube du Pistolet Graisseur (voir figure 1.) Remplissez-le avec de la graisse (voir figure 2.)
2. Retirez le piston plongeur. Quand il est entièrement étendu, il se verrouille sur place avec une verrouille de piston positionnement.
3. Retirez le bouchon en plastique du bout de la cartouche de graisse et insérez le bout ouvert dans le tube du pistolet (voir figure 6.)
4. Poussez la cartouche de graisse dans le tube jusqu'à ce que le bord du dispositif d'étanchéité touche le bord du tube (voir figure 7.)
Enlevez alors le dispositif d'étanchéité de l'extrémité de la cartouche de graisse (voir figure 8.)
5. Vissez l'assemblage principal dans le tube. Serrez-le bien.
6. Déverrouillez le piston plongeur du bouchon du bout, en desserrant la verrouille du piston. Cela poussera le piston plongeur dans le tube.
7. Référez-vous au point A (7).

DIAGRAMME DE DÉPANNAGE

Problème : Le pistolet ne distribue pas de graisse

Raison Possible : 1. La cartouche de graisse ou le tube est vide.

2. De l'air est emprisonné dans l'assemblage principal du Pistolet Graisseur.

Solution : • Remplacez la cartouche de graisse ou remplissez le tube.

• Videz l'air emprisonné en appuyant sur la valve d'air purgeur, et poussant la manche du piston plongeur.

Problème : La cartouche de graisse ne se vide pas complètement. Aussi si vous n'êtes pas sûr que la cartouche est complètement vide.

Raison Possible : Les languettes du piston sont liées à l'assemblage du plongeur en caoutchouc.

Solution : • Relier le piston à l'assemblage du plongeur en caoutchouc.

• Insérez le piston dans le tube aussi loin que possible pour faire avancer la graisse.

• Mesurez la manche du piston du bout du bouchon du tube jusqu'au bout de la manche du piston.

• Si cette distance est plus grande que 1-3/4", la cartouche de graisse n'est pas vide.

• Si il n'est pas complètement vide, détachez le piston de l'assemblage du plongeur en caoutchouc, après avoir poussé la graisse en avant.

Problème : Fuite de graisse visible entre le tube et l'assemblage principal.

Raison Possible : Le serrage initial du tube dans l'assemblage principal n'est pas suffisant ou le sceau en caoutchouc à l'intérieur de l'assemblage principal est endommagé ou il manque.

Solution : • Resserrez le tube bien fort à l'assemblage principal.

Problème : Fuite de graisse visible au prolongement.

Raison Possible : Fuite de graisse visible à l'assemblage principal.

1. Le serrage initial du prolongement dans l'assemblage principal et/ou coupleur n'est pas suffisant.

3. Piston usé ou endommagé et/ou alésage de l'assemblage principal.

2. Le raccord remplisseur pourrait être lâche.

4. Anneau 'O' de la valve d'air purgeur est usé.

Solution : • Resserrez le prolongement à l'assemblage principal et le coupleur au prolongement.

• Remplacez l'Anneau 'O' ou la valve d'air purgeur.

• Resserrez le raccord remplisseur bien fort à l'assemblage principal.

POLÍTICA DE GARANTÍA LIMITADA DEL EQUIPO NUEVO. SÍRVASE LEER CUIDADOSAMENTE LO SIGUIENTE

Lumax® garantiza que todo equipo de lubricación fabricado por Lumax® esté libre de defectos en cuanto al material y mano de obra a la fecha de la venta por parte de un distribuidor autorizado Lumax® al comprador original para el uso. Durante un (1) año después de la fecha de compra, Lumax® reparará o reemplazará cualquier pieza del equipo que Lumax® determine que está defectuosa. Esta garantía se aplica solamente cuando el equipo está instalado, operado y mantenido de conformidad con las recomendaciones escritas de Lumax®. Lumax® no entrega ninguna representación o garantía de ningún tipo al comprador de que él o ella está calificado para realizar ninguna reparación al producto o que él o ella está calificado para reemplazar alguna pieza del producto. De hecho, Lumax® manifiesta expresamente que todas las reparaciones y piezas de reemplazo deberían ser realizados por técnicos certificados y licenciarios y no por el comprador. El comprador asume todos los riesgos y responsabilidades que surjan de sus reparaciones hechas al producto original o a las piezas de reemplazo del mismo, o que surjan de la instalación de piezas de reemplazo al mismo. Si el equipo demuestra estar defectuoso durante este período de garantía, será reparado o reemplazado sin cargos, siempre que el examen de la fábrica indique que el equipo está defectuoso.

Esta garantía no cubre, y Lumax® no será responsable del desgaste general, accidentes, sobrecarga, o algún mal funcionamiento, daño o desgaste causado por una mala instalación, aplicación errada, mal uso, abuso, abrasión corrosión, mantenimiento inadecuado, o impropio, negligencia, accidente, manipulación o sustitución de piezas componentes que no sean Lumax®. Lumax® tampoco será responsable del equipo reparado o alterado por alguien que no esté autorizado por Lumax® para reparar o alterar el equipo. Lumax® tampoco será responsable por el mal funcionamiento, daño, o desgaste causado por la incompatibilidad del equipo Lumax® con accesorios, equipo o materiales que no sean suministrados por Lumax®. Esta garantía sólo se extiende al comprador original al detal y está condicionada a la devolución prepagada del equipo considerado defectuoso a un distribuidor Lumax® autorizado para la verificación del defecto reclamado. Si se verifica el defecto reclamado, Lumax® reparará o hará el reemplazo sin costo alguno sobre las piezas defectuosas. El equipo será devuelto al comprador original con transporte prepagado. Si la inspección del equipo no revela ningún defecto en los materiales o mano de obra, las reparaciones serán hechas a un precio razonable, cuyos cargos pueden incluir los costos de piezas, mano de obra y transporte.

Esta garantía es exclusiva, y es en lieu de cualquier otra garantía, expresa o implícita, incluyendo pero no limitada a la garantía de mercadeabilidad o garantía de aptitud para un fin específico. La única obligación de Lumax® y el único remedio del comprador en caso de alguna violación de la garantía deberá ser como se establece arriba. El comprador acuerda que ningún otro remedio estará disponible (incluyendo pero no limitado al daño, incidental o a consecuencia de las ganancias perdidas, ventas perdidas, daños a la persona o a la propiedad, o cualquier pérdida incidental o consecuencia). Lumax® no será responsable en ningún momento por los daños incidentales o consecuenciales. La responsabilidad de Lumax® por cualquier reclamo o pérdida que surja de la venta, reventa o uso del equipo de lubricación, equipo dispensador de materiales, y otro equipo relacionado no deberá en ningún momento exceder el precio de compra. Algunos estados no permiten la exclusión o límite de daños incidentales o consecuenciales, por lo que la limitación anterior puede no aplicarse a usted. Esta garantía le otorga a usted derechos legales específicos, y usted también puede tener otros derechos, que pueden variar de estado a estado. Cualquier acción por la violación de la garantía deberá ser presentada dentro de los dos (2) años a partir de la fecha de la venta.

Lumax® no otorga ninguna garantía y renuncia a todas las garantías implícitas sobre la mercadeabilidad y aptitud para un fin específico en relación con los accesorios, equipos, materiales o componentes vendidos pero no fabricados por Lumax® (tales como motores eléctricos, interruptores, mangueras, etc.) están sujetos a la asistencia razonable para realizar cualquier reclamo por el incumplimiento de estas garantías. Lumax® no será responsable en ningún caso por los daños indirectos, incidentales, especiales o consecuenciales resultantes del suministro de parte de Lumax® del equipo bajo el presente, o el suministro, rendimiento o uso de cualquier producto u otros bienes vendidos en el presente, sea debido a un incumplimiento del contrato, incumplimiento de la garantía, la negligencia de Lumax® o de otro modo.

Cualquier garantía implícita aplicable al equipo de lubricación, equipo dispensador de materiales, y otro equipo relacionado fabricado por Lumax®, incluyendo las garantías de mercadeabilidad y aptitud para un fin específico, solamente durará un (1) año a partir de la fecha de compra. Algunos estados no permiten límites sobre la duración de una garantía implícita, por lo que el límite arriba expresado puede variar para usted.

© 2003 Lumax®. Todos los derechos reservados. Lumax® y los productos descritos están registrados por Lumax® como propiedad literaria, con todos los derechos reservados. Este documento no puede ser copiado en todo o en parte sin el consentimiento expreso por escrito de Lumax®.

METHODE DE GARANTIE LIMITÉE POUR NOUVEL ÉQUIPEMENT. LISEZ ATTENTIVEMENT LES INSTRUCTIONS CI-DESSUS

Lumax® garantit que tout équipement lubrifiant manufacturé par Lumax® est sans défaut en matériel et en exécution à la date de vente par un distributeur autorisé par Lumax® à l'acheteur initial. Lumax®, pendant une (1) année suivant la date de vente, réparera ou remplacera toute pièce de l'équipement déterminée défectueuse par Lumax®. Cette garantie s'applique seulement quand le matériel est installé, opérationnel et mis à jour selon des recommandations écrites de Lumax®.

Lumax® ne fait aucune représentation ou garantie (d'aucune façon) aux acheteurs qu'ils soient qualifiés de réparer le produit ou de remplacer des pièces du produit. En fait, Lumax® déclare expressément que toutes réparations et tous remplacements de pièces doivent être entrepris par les techniciens certifiés et autorisés et non par l'acheteur. L'acheteur assume tous risques et responsabilités provenant de ses réparations aux pièces initiales du produit ou à ces mêmes pièces de rechange ou provenant de son installation de ces mêmes pièces de rechange. Si l'équipement s'avère défectueux pendant cette période de garantie, il sera réparé ou substitué sans frais, à condition que l'examen de l'usine indique que l'équipement est défectueux.

Cette garantie ne couvre pas, et Lumax® ne sera pas responsable de l'usure et de la dégradation normale, l'accident, la surcharge ou tout défaut de fonctionnement, endommagements ou usure provoquée par l'installation défectueuse, mauvais usage, emploi abusif, l'abrasion, la corrosion, l'entretien insatisfaisant ou inexact, la négligence, l'accident, tripatouillage ou la substitution des pièces non-Lumax®. Lumax® ne sera également pas responsable pour l'équipement réparé ou modifié par toute personne non autorisée par Lumax® de réparer ou modifier l'équipement. Lumax® ne sera également pas responsable du défaut de fonctionnement, des endommagements ou de l'usure provoquée si l'équipement Lumax® est inconciliable avec des accessoires, des équipements et des matériaux non fournis par Lumax®. Cette garantie est uniquement présentée à l'acheteur initial, et elle est conditionnée sur le retour payé de l'équipement prétendu défectueux à un distributeur autorisé de Lumax® pour la vérification du défaut réclamé. Si le défaut réclamé est vérifié, Lumax® réparera ou remplacera gratuitement toutes les pièces défectueuses. L'équipement sera retourné à l'acheteur initial, transport payé. Si l'inspection de l'équipement ne révèle aucun défaut dans le matériel ou l'exécution, les réparations seront faites pour des frais raisonnables, qui peuvent inclure les frais des pièces, de travail, et de transport.

Cette garantie est exclusive, et elle tient lieu de toutes autres garanties, explicites ou implicites, incluant mais non limitées à la garantie de la valeur marchande ou à la garantie d'ajustage pour un but particulier. L'unique obligation de Lumax® et l'unique recours de l'acheteur pour toute infraction de garantie seront déterminés comme ci-dessus. L'acheteur convient qu'aucun autre recours (y compris mais non limité aux dommages fortuits ou consécutifs pour des profits perdus, des ventes perdues, des dommages à la personne ou à la propriété ou toute autre perte fortuite ou consécutive) ne sera disponible. Dans aucun cas Lumax® ne sera responsable des dommages fortuits ou consécutifs. La responsabilité de Lumax® pour toutes réclamations ou pertes ou dommages provenant de la vente, revente ou utilisation de matériel lubrifiant, équipement disposant des matériaux, et tout autre équipement ayant rapport ne devrait dans aucun cas excéder le prix d'achat. Quelques États ne permettent pas l'exclusion ou la limitation des dommages fortuits ou consécutifs, ainsi la limitation ou l'exclusion ci-dessus peut ne pas s'appliquer à vous. Cette garantie vous donne des droits légaux spécifiques, et vous pouvez également avoir d'autres droits, qui changent d'État à État. Toute action pour l'infraction de la garantie doit être réclamée dans une période de deux (2) ans depuis la date de la vente.

Lumax® ne fait aucune garantie, et dément toute garantie implicite de valeur et d'ajustage pour un but particulier en liaison avec accessoire, équipement, matériaux ou parties composantes vendues mais non fabriqués par Lumax® (moteurs électriques, commutateurs, tuyaux, etc.) en faisant toutes réclamations pour l'infraction de ces garanties. Lumax® ne sera responsable dans aucun cas des endommagements indirects, fortuits, spéciaux ou indirects résultant du matériel fourni par Lumax® ci-compris ou la fourniture, l'exécution ou l'utilisation de tous produits ou d'autres marchandises vendues ci-joint, si bien en raison d'une infraction du contrat, l'infraction de la garantie, la négligence de Lumax® ou autrement.

Toutes les garanties implicites applicables à l'équipement lubrifiant, équipement disposant des matériaux, et tout autre équipement lié construit par Lumax®, y compris les garanties de la valeur marchande et l'ajustage pour un but particulier, dureront seulement pendant une (1) année depuis la date de l'achat. Certains états ne permettent pas des limitations en fonction de la durée d'une garantie implicite, ainsi la limitation ci-dessus peut ne pas s'appliquer à vous.

© 2003 Lumax®. Tous droits réservés. Lumax® et ses produits décrits sont les droits d'auteur de Lumax®, avec tous droits réservés. Ce mode d'emploi ne peut être copié en entier ou en partie, sans consentement par écrit exprès de Lumax®.



Lumax® 3705 Centre Circle, Fort Mill, SC 29715, USA

Fax : 803-547-0800

www.LumaxLubrication.com

Forme : LX-1160-61-IS